

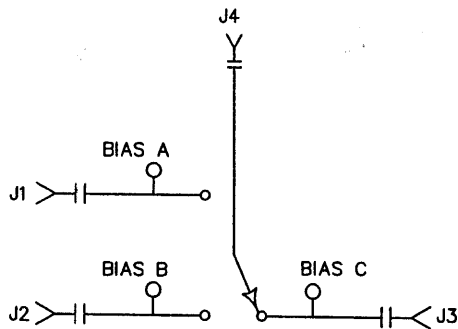
DESCRIPTION

AMC MODEL MSNN-3DT-05-STANDARD OPTION: MACOM, 50M21 IS A 0.05 TO 20.25 GHz, ABSORPTIVE/NON-REFLECTIVE, SINGLE POLE THREE THROW SWITCH HAVING AN INSERTION LOSS OF 3 dB MAXIMUM, AN ISOLATION OF 35 dB MINIMUM AND A VSWR OF 2.0:1 MAXIMUM.

SPECIFICATIONS

- FREQUENCY RANGE: 0.05 TO 20.25 GHz
- INSERTION LOSS: 3 dB MAXIMUM
- VSWR: 2.0:1 MAXIMUM
- ISOLATION: 35 dB MINIMUM
- INPUT THIRD ORDER INTERCEPT POINT: +30 dBm MINIMUM
- INPUT SECOND ORDER INTERCEPT POINT: +40 dBm MINIMUM
- MAX INPUT POWER: +20 dBm MINIMUM
- SWITCHING SPEED (50% TTL TO 10/90% RF): 75/100 nSec
- CONTROL LOGIC: TTL "0" = ON; "1" = OFF
- CONTROL TABLE: SEE CONTROL TABLE
- DC BIAS: +5V @ 75 mA MAXIMUM
-15V @ 50 mA MAXIMUM

BLOCK DIAGRAM



CONTROL TABLE	
E1	J4-J1
E2	J4-J2
E3	J4-J3

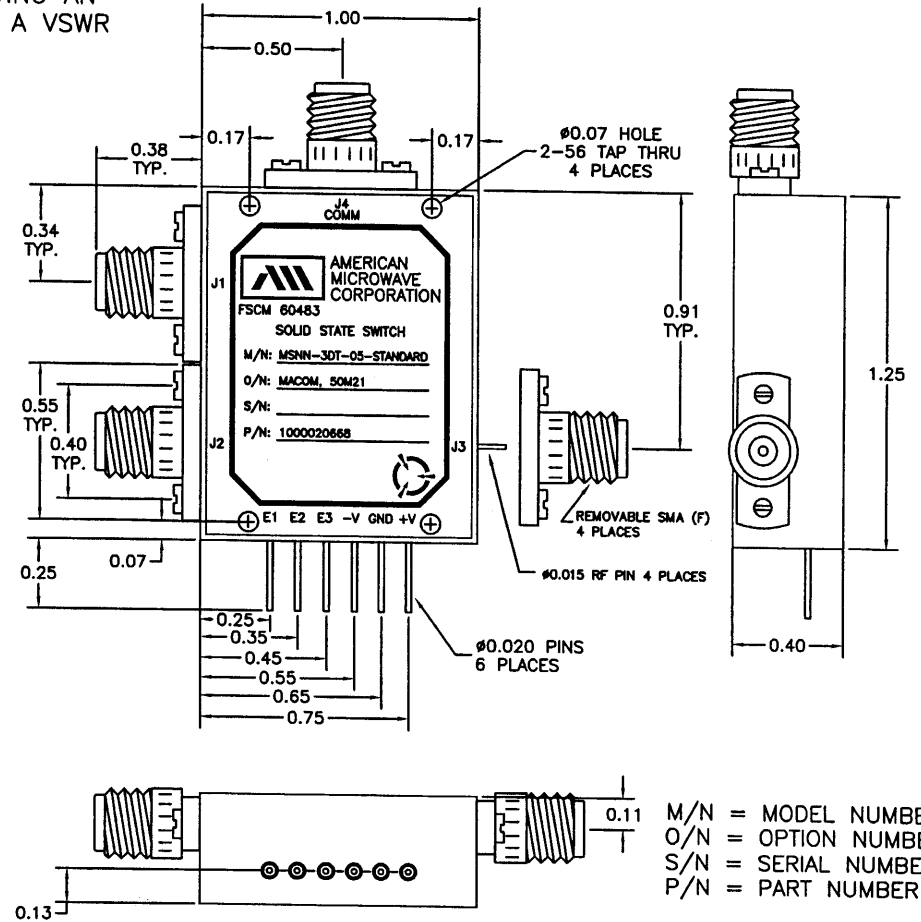
ENVIRONMENTAL RATINGS

- TEMPERATURE: -10°C TO +70°C (OPERATING)
-65°C TO +125°C (STORAGE)
- HUMIDITY: MIL-STD-202F, METHOD 103B COND. B
- SHOCK: MIL-STD-202F, METHOD 213B COND. B
- VIBRATION: MIL-STD-202F, METHOD 204D COND. B
- ALTITUDE: MIL-STD-202F, METHOD 105C COND. B
- TEMPERATURE CYCLE: MIL-STD-202F, METHOD 107D COND. A

NOTE: SPECIFICATIONS WILL VARY OVER OPERATING TEMPERATURE
NOTE: THE ABOVE SPECIFICATIONS ARE SUBJECT TO CHANGE OR REVISION

ALL DIMENSIONS ARE IN INCHES
TOLERANCES:
X.XX ±0.020
X.XXX ±0.010

REVISIONS				
ZONE	REV.	DESCRIPTION	DATE	APPROVED
-	-	ORIGINAL RELEASE JOB# 408188E	9/20/04	FSC



M/N = MODEL NUMBER
O/N = OPTION NUMBER
S/N = SERIAL NUMBER
P/N = PART NUMBER

AMERICAN MICROWAVE CORPORATION

7311-G GROVE ROAD
FREDERICK, MARYLAND 21704 USA
TEL: 301-662-4700 FAX: 301-662-4938
WEBSITE: www.americanmicrowavecorp.com
E-MAIL: sales@americanmicrowavecorp.com
ISO 9001:2000 CERTIFIED

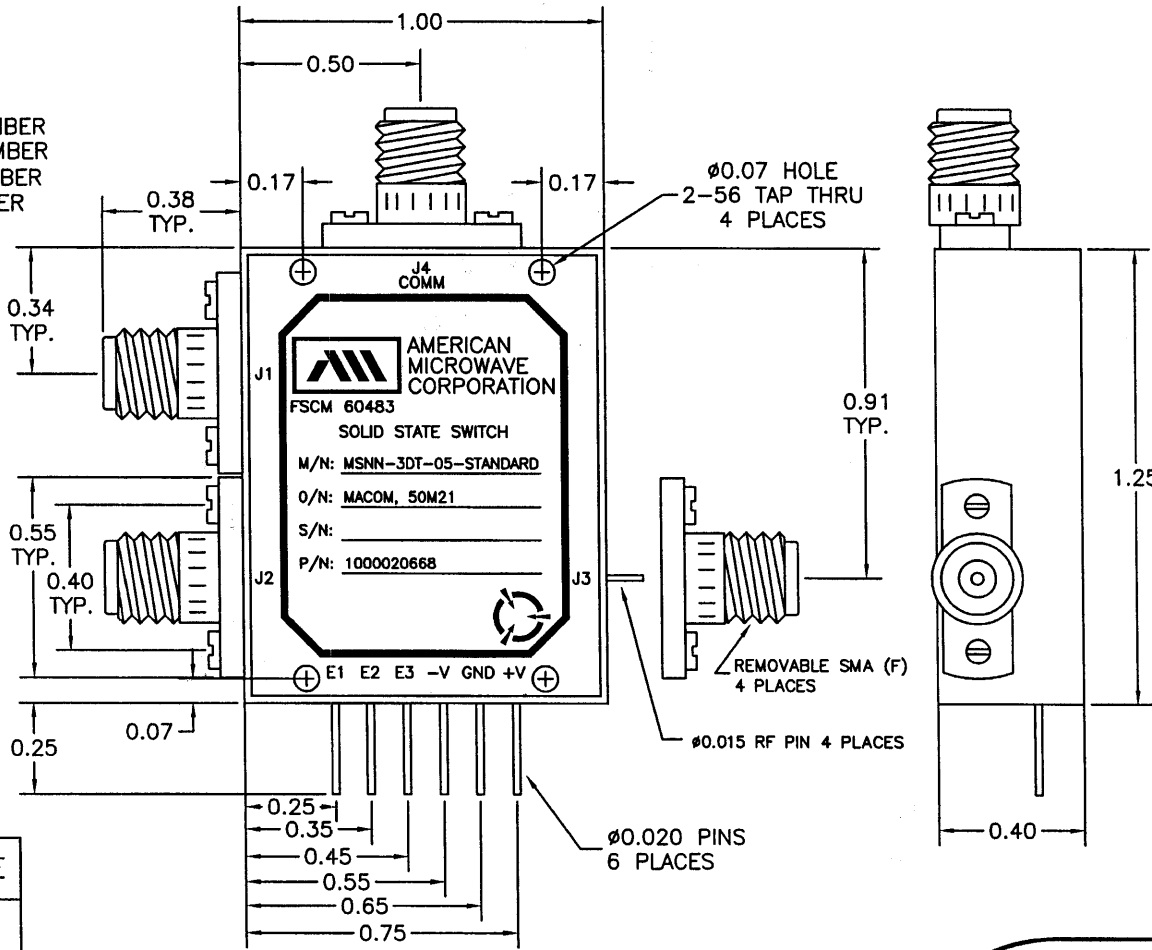


APPROVALS		DATE	TITLE		
DRAWN <i>JDJ</i>		9/20/04	PRODUCT FEATURE MSNN-3DT-05-STANDARD OPTION: MACOM, 50M21 0.05 TO 20.25 GHz, SINGLE POLE THREE THROW SWITCH		
CHECKED <i>BD</i>		10/5/04	SIZE	FSCM NO.	DWG NO.
ISSUED <i>FSC</i>		10/5/04	A	60483	100-7064
SCALE N:S			REV. -		
SHEET 1 OF 3					

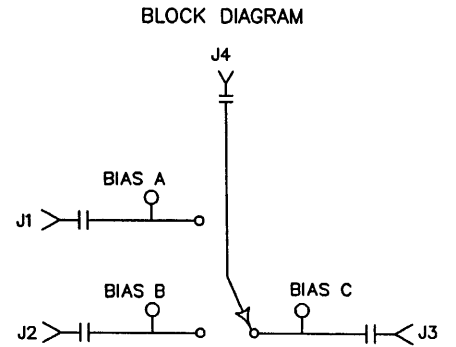
DESCRIPTION

AMC MODEL MSNN-3DT-05-STANDARD OPTION: MACOM, 50M21 IS A 0.05 TO 20.25 GHz, ABSORPTIVE/NON-REFLECTIVE, SINGLE POLE THREE THROW SWITCH HAVING AN INSERTION LOSS OF 3 dB MAXIMUM, AN ISOLATION OF 35 dB MINIMUM AND A VSWR OF 2.0:1 MAXIMUM.

M/N = MODEL NUMBER
 O/N = OPTION NUMBER
 S/N = SERIAL NUMBER
 P/N = PART NUMBER



MECHANICAL OUTLINE



E1	J4-J1
E2	J4-J2
E3	J4-J3

ALL DIMENSIONS ARE IN INCHES
 TOLERANCES:
 X.XX ±0.020
 X.XXX ±0.010

REVISIONS				
ZONE	REV.	DESCRIPTION	DATE	APPROVED
-		ORIGINAL RELEASE JOB# 408188E	9/20/04	EJC

AMERICAN MICROWAVE CORPORATION

7311-G GROVE ROAD
 FREDERICK, MARYLAND 21704 USA
 TEL: 301-662-4700 FAX: 301-662-4938
 WEBSITE: www.americammicrowavecorp.com
 E-MAIL: sales@americammicrowavecorp.com
 ISO 9001:2000 CERTIFIED



APPROVALS		DATE	TITLE			REV.
DRAWN	JDJ	9/20/04	MECHANICAL OUTLINE MSNN-3DT-05-STANDARD OPTION: MACOM, 50M21 0.05 TO 20.25 GHz, SINGLE POLE THREE THROW SWITCH			-
CHECKED	BB	10/5/04	SIZE	FSCM NO.	DWG NO.	
ISSUED	EJC	10-5-04	A	60483	100-7064	
			SCALE	N:S	SHEET	2 OF 3